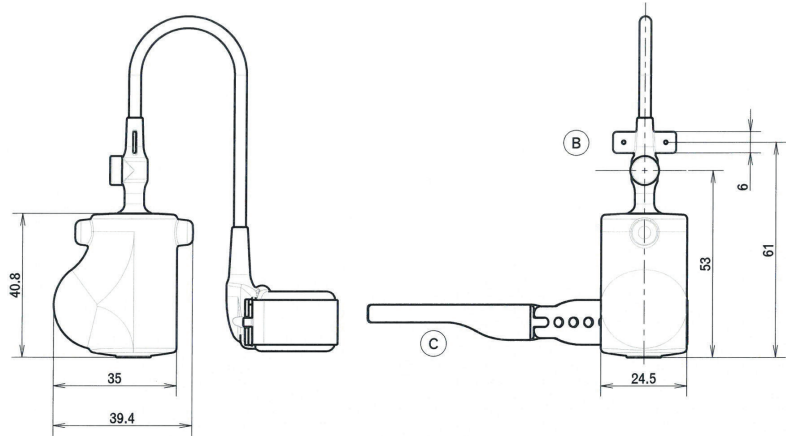


CATALOG OF PRODUCTS 2021

| INCONTINENCE

PRE-FILLED ARTIFICIAL URINARY SPHINCTER



NAME: ARTIFICIAL URINARY SPHINCTER
REF: ZSI 375 PF

DESCRIPTION:

The Artificial Urinary Sphincter ZSI 375 PF is a long-term implantable medical device, designed to correct urinary incontinence secondary to an intrinsic urinary sphincter deficiency. This Artificial Sphincter is composed of a Cuff connected by kink-resistant tubing to a Pump. The Cuff is placed around the urethra and a Pump is placed in the scrotum.

SPECIFICATIONS:

- Ready to be implanted, no preparation.
- Pre-connected.
- Pre-filled with saline solution.
- Adjustable Cuff from 4 to 6 cm.
- Cuff closure with buttons.
- Adjustable pressure from 0 cm H₂O to over 120 cm H₂O. ZSI 375 PF is provided with a standard issued pressure of 90 cm H₂O (90 +/- 5 cm H₂O). The standard issued pressure can be increased or decreased during implantation and/or during sphincter lifetime, injecting or removing saline solution from the Pressure Regulating Balloon PRB/Compensation Pouch.
- Pressure can be controlled with pressure sensor at any time.
- MTBF (Mean Time Before Failure): 10 years.
- MCBF (Mean Cycle Before Failure): 30 000 cycles.
- Provided with two Huber needles.

The Pressure Sensor to control the issued pressure is not included in the ZSI 375 PF box.

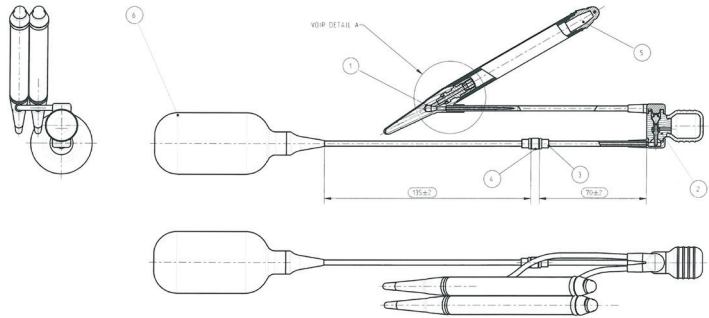
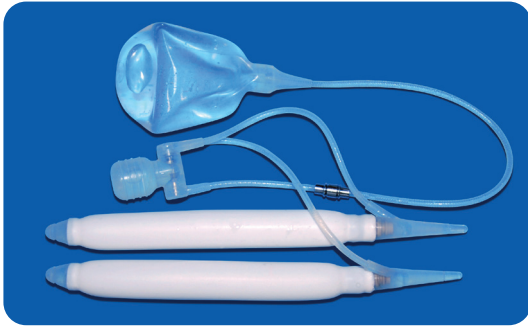
INSTRUCTION FOR USE:

The patient presses and releases the bulb button of the Pump to open the Cuff and urinate. The closure of the Cuff is automatic after 2 to 3 minutes.



**ERECTILE
DYSFUNCTION**

INFLATABLE PENILE IMPLANT



NAME: INFLATABLE PENILE IMPLANT

REF: ZSI 475

DESCRIPTION:

The Inflatable Penile Implant ZSI 475 is designed to treat erectile dysfunction. The device is composed of two inflatable cylinders connected to a manual pump and a reservoir. The cylinders are implanted in the corpus cavernosa, the Pump is implanted in the scrotum and the reservoir is implanted in the pelvis.

SPECIFICATIONS:

- Implant designed for corpus cavernosa from 12 to 24 cm.
- Inflatable parts of 13 cm, 16 cm and 19 cm included in the box.
- PVP coated.
- Assembly and filling at surgical theatre.
- Manual Pump to inflate and deflate the device.
- MTBF: 10 years.
- MCBF > 3000 cycles (3 erections a week, 52 weeks per year, during 10 years x2).

Accessories:

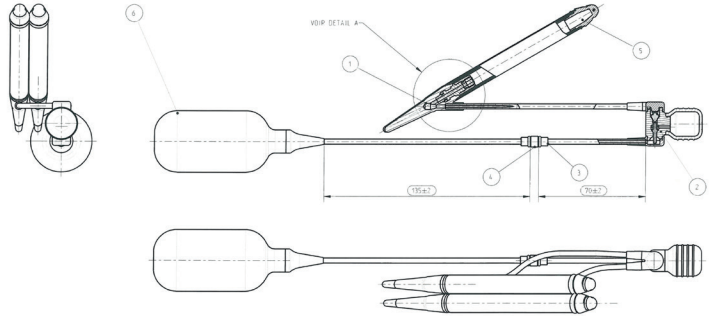
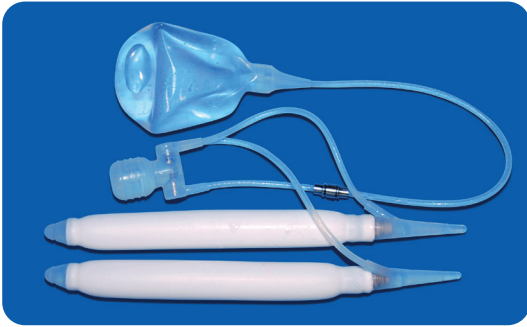
- Proximal extensors 10, 20 and 30 mm.
- Distal extensors 10 and 20 mm.
- Two set of connectors.
- Two needles and threads.
- Two special connectors to fill the device.
- A Ruler/Introducer.
- A spatula.

Dilators and/or cavernotomes are not included in the box.

INSTRUCTION FOR USE:

Erection: The patient presses and releases several times the Pump Button to fill the inflatable cylinders. After sexual intercourse the patient presses the Pump valve to deflate the cylinders.

INFLATABLE PENILE IMPLANT FOR LARGE SIZE



NAME: INFLATABLE PENILE IMPLANT BIG SIZE
REF: ZSI 475-22cm

DESCRIPTION:

The Inflatable Penile Implant ZSI 475-22cm is designed to treat erectile dysfunction in patients with big penis. It is composed of two inflatable cylinders connected to a manual pump and a reservoir. The cylinders are implanted in the corpus cavernosa, the Pump is implanted in the scrotum and the reservoir is implanted in the pelvis.

SPECIFICATIONS:

- Designed for corpus cavernosa from 21 to 25 cm.
- 22 cm inflatable cylinders.
- PVP coated.
- Assembly and filling at surgical theatre.
- Manual Pump to inflate and deflate the device.
- MTBF: 10 years.
- MCBF > 3000 cycles (3 erections a week, 52 weeks per year, during 10 years x2).

Accessories:

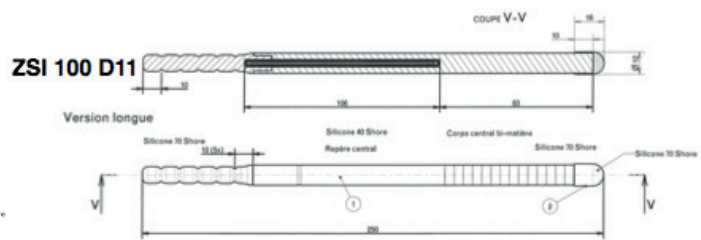
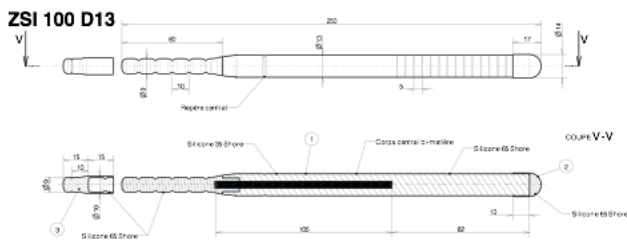
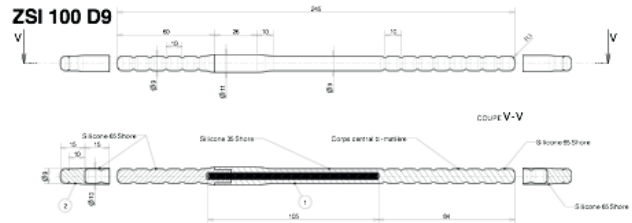
- Proximal extensors of 10, 20 and 30 mm.
- Two set of connectors.
- Two needles and threads.
- Two special connectors to fill the device.
- A Ruler/Introducer.
- A spatula.

Dilators or/and cavernotomes are not included in the box.

INSTRUCTION FOR USE:

Erection: The patient presses and releases several times the Pump Button to fill the inflatable cylinders. After sexual intercourse the patient presses the Pump valve to deflate the cylinders.

MALLEABLE PENILE IMPLANT



NAME: MALLEABLE PENILE IMPLANT
REF: ZSI 100 D9, ZSI 100 D11, ZSI 100 D13

DESCRIPTION:

The Malleable Penile Implant ZSI 100 is designed to treat erectile dysfunction. It is composed of two malleable cylinders made of silicone with inner silver cable. It is implanted in the corpus cavernosa.

SPECIFICATIONS:

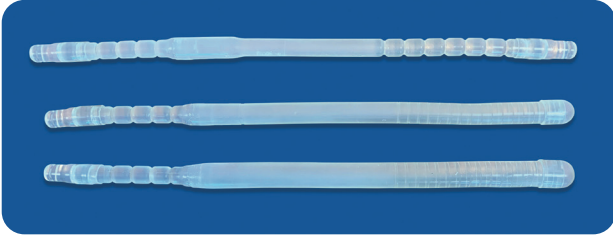
- PVP coated.
- For corpus cavernosa from 120 to 250 mm:
 - Maximal length: 250mm.
 - Minimal length (after cutting): 120 mm.
- ZSI 100 D09: Diameter 09 mm.
- ZSI 100 D11: Diameter 11 mm.
- ZSI 100 D13: Diameter 13 mm.
- Extensors of 1.5 cm. Minimal length 1 cm after cutting.
- MCBF (Mean Cycle Before Failure): 14'000 Cycles.

Ruler and Dilators are not included in the box.

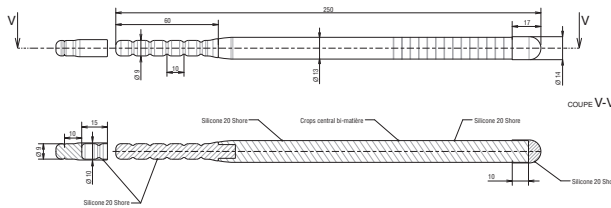
INSTRUCTION FOR USE:

Erection: The patient moves up his penis with his hand upward.
After sexual intercourse he moves it downwards.

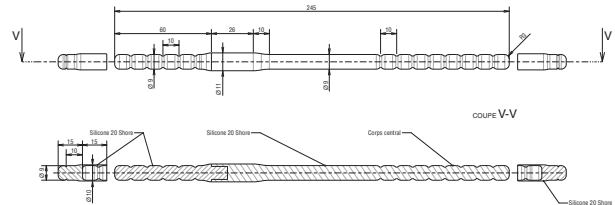
SOFT PENILE IMPLANT CABLE FREE



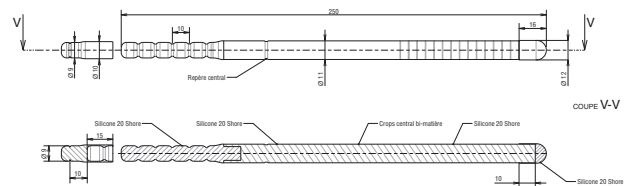
ZSI 100 D13 CF



ZSI 100 D9 CF



ZSI 100 D11 CF



NAME: MALLEABLE PENILE IMPLANT CABLE FREE
REF: ZSI 100 D9 CF, ZSI 100 D11 CF, ZSI 100 D13 CF

DESCRIPTION:

The Soft Penile Implant cable free ZSI 100 CF is designed to treat erectile dysfunction or to keep space free of fibrosis during healing after penile implant infection. It is composed of two malleable cylinders made of silicone. It is implanted in the corpus cavernosa.

SPECIFICATIONS:

- PVP coated against infection.
- For corpus cavernosa from 120 to 250 mm:
 - Maximal length: 250mm.
 - Minimal length (after cutting): 120 mm.
- ZSI 100 D09 CF: Diameter 09 mm.
- ZSI 100 D11 CF: Diameter 11 mm.
- ZSI 100 D13 CF: Diameter 13 mm.
- Extensors of 1.5 cm. Minimal length 1 cm after cutting.
- MCBF (Mean Cycle Before Failure): 100'000 Cycles.

Ruler and Dilators are not included in the box.

INSTRUCTION FOR USE:

ZSI 100 CF to treat erectile dysfunction: the patient can get a flexible penis with erection stiff enough to penetrate the vagina. Open the corpus cavernosa and make a space with dilator between inner corpus cavernosa wall and erectile tissue. Insert ZSI 100 CF into each corpus cavernous and close.

ZSI 100 CF to keep a space into the corpus cavernous: in case of inflatable penile implant removal for infection, the surgeon can keep the space into the corpus cavernous with the ZSI 100 CF. After 3 months or 6 months, the new inflatable penile implant insertion will be easier thanks to the ZSI 100 CF. Note that the ZSI 100 D9 CF/ ZSI 100 D11 CF/ ZSI 100 D13 CF get a PVP coating to fight against infection.

ZSI 200 NS EXPANDER - VAGINAL STENT



NAME: ZSI 200 NS EXPANDER

REF: ZSI 200 NS L90 / ZSI 200 NS L120

DESCRIPTION:

After a vaginoplasty there is a risk of vaginal stenosis. The vaginal stent can reduce this risk.

SPECIFICATIONS:

- The device is an inflatable cylinder with a clamp and a connector.
- The device is made of biocompatible silicone.
- Lengths available: 90 mm & 120 mm
- Diameter inflated: 40 mm

INSTRUCTION FOR USE:

Measure the length of the vagina. Choose the size of the device (90 mm or 120 mm). Open the packaging. Don't use sharp tool. Insert the device in the vagina and fill it (90 mm = 100 ml, 120 mm = 130 ml) and clamp. Unclamp and empty the device to remove it.



**ACCESSORIES
AND
SAMPLES**

SCOTT RETRACTOR WITH BIG HOOKS



**NAME: DISPOSABLE GALAXY II Snowman Blunt Kit 12mm,
Disposable Retractors manufactured by June Medical
REF: JUNE3000B12
Sold by box of 10 Scott retractors + 8 blunt stays of 12mm**

DESCRIPTION:

Scott retractor can be used for male or female surgical procedure. The stays stretch easily the tissues.

Examples of use in male: Artificial sphincter insertion, Penile implant insertion, etc.

Examples of use in Female: Sling and mesh insertion, Prolapses, etc.

SPECIFICATIONS:

One box of ten sets.

The set: one Scott retractor + 8 blunt stays of 12 mm

SCOTT RETRACTOR WITH SMALL HOOKS



NAME: DISPOSABLE GALAXY II Snowman Blunt Kit 5 mm,
Disposable Retractors manufactured by June Medical
REF: JUNE3000B5
Sold by box of 10 Scott retractors + 8 blunt stays of 5 mm.

DESCRIPTION:

Scott retractor can be used for male or female surgical procedure. The stays stretch easily the tissues.

Examples of use in male: Artificial sphincter insertion, Penile implant insertion, etc.

Examples of use in Female: Sling and mesh insertion, Prolapses, etc.

SPECIFICATIONS:

One box of ten sets.

The set: one Scott retractor + 8 blunt stays of 5 mm

FURLOW MEASURER/INTRODUCER

FURLOW MEASURER

One piece per box
Reusable, Reference H11640R



NAME: FURLOW HEELAY

REF: Heelay H11640R

DESCRIPTION:

Ruler to measure the corpus cavernosa length.

Ruler + piston to pierce the glans with a needle from the inner corpus cavernosa.

SPECIFICATIONS:

One piece per box.

Ruler: 160 mm.

SET OF CAVERNOTOMES

DOUBLE BLADE CAVERNOTOMES

Qty 1 set: Ø 6 mm, 7 mm, 8 mm, 9 mm, 10 mm, 11 mm, 12 mm, 14 mm per box
Reusable, reference G-01



NAME: SET OF CAVERNOTOMES

REF: G-01 Double blade Cavernotomes

DESCRIPTION:

A set of 8 cavernotomes used to dilate corpus cavernosa with fibrosis.

MEASURER

CORPORA T HANDLE MEASURER

Qty 1- Ø 8 mm - Blunt
Reusable, reference G-03



NAME: Measurer

REF: G-03 Corpora T handle Measurer

DESCRIPTION:

To measure corpus cavernosum length

DILATORS

CORPORA DILATOR

Qty 1 set: Ø 8 mm, 9 mm, 10 mm, 11 mm, 12 mm, 13 mm, 14 mm
Reusable, reference G-04



NAME: Brooks Dilators

REF: G-04 Corpora Dilators

DESCRIPTION:

A set of 7 Brooks dilators to dilate the corpus cavernosa

SAMPLES



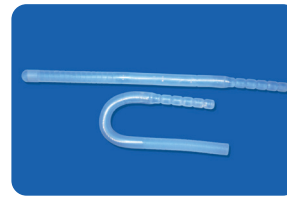
Sample, Artificial Urinary Sphincter ZSI 375 PF,
One sample of artificial Urinary Sphincter



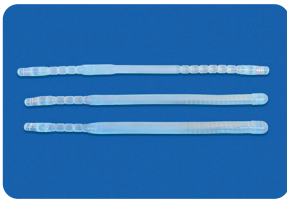
Sample, Penile Implant ZSI 475,
pair of inflatable cylinders, a pump and a reservoir.



Sample, Penile Implant ZSI 475 FTM,
one inflatable cylinder, a (standard) pump, a reservoir



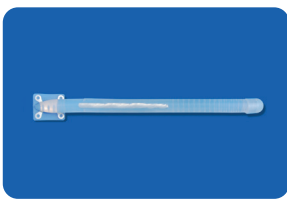
Sample, Penile Implant ZSI 100,
two standard rods of D11



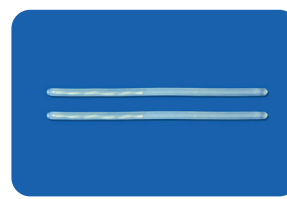
Sample, Penile Implant ZSI 100 CF
3 rods, 1*D9 + 1*D11 + 1*D13



Sample, Penile Implant ZSI 100 FTM,
One malleable rod + one glans, placed in one box.



Sample, ZSI 100 FTM D13 NARROW
One malleable rod + one glans, placed in the box



Sample ZSI 100 D4, implant for metoidioplasty,
A pair of malleable rods



Sample ZSI 200 NS Expander
(Vaginal stent for vaginoplasty).



Sample, Silicone Bleu Pump
One pump unit of the sphincter, with explanation card attached



ZSI, Zephyr Surgical Implants sàrl
Route des jeunes 4bis, CH-1227, les acacias-Genève, Switzerland
Tel: +41 22 342 31 57- email : contact@zsimplants.ch